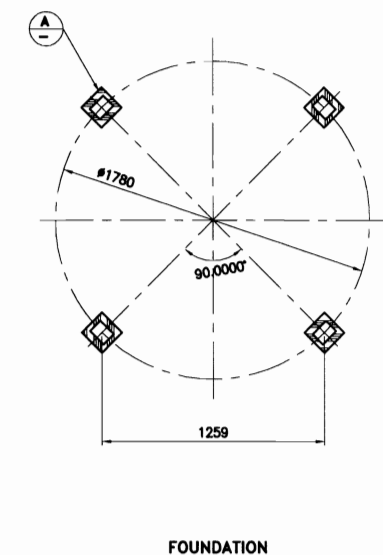
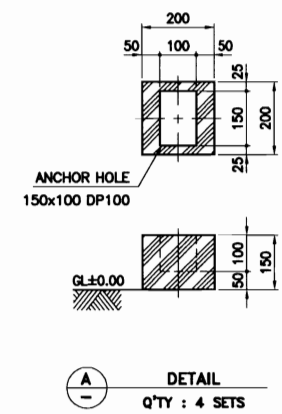


NO	DESCRIPTION	MATERIAL	Q'TY	SIZE	REMARKS
1	MOTOR	T.E.F.C	1 SET	3HPx8P	3#220/380/440V/60Hz
2	FAN	AL+ALLOY	1 SET	#1200	4 BLADES
3	SPRINKLER HEAD	P.V.C	1 SET	100A	
4	SPRINKLER PIPE	P.V.C	4 EA	50A	
5	FILLER	P.P	1 LOT	0.4'	ROLL TYPE
6	CASING	F.R.P	1 SET		
7	LOUVER	F.R.P	1 SET		



**NOTE**

1. REDUCER : DIRECT DRIVE TYPE
2. FOUNDATION : R.F CONCRETE (OUT OF SCOPE)
3. F.R.P TOLERANCE IS ±20mm.
4. NET WEIGHT : 490 KG
5. OPERATE WEIGHT : 980 KG

NO.	REVISION	DATE	DRAWN	CHK'D	APP'R	REFERENCE DRAWING
△						
△						
△						
△						

<b>D H Tech Co., Ltd.</b> 디에이치테크(주)			PROJECT :		COOLING WATER SYSTEM
			TITLE :		ROUND TYPE COOLING TOWER 80 RT ASS'Y DWG.
Project NO.			Date		2003. . . . .
Scale			Unit		mm
H/S			Design		
Drawn			Checked		
Size			A4		Approved
REF. NO.					RN373227FVP00801-001
					Rev. No.