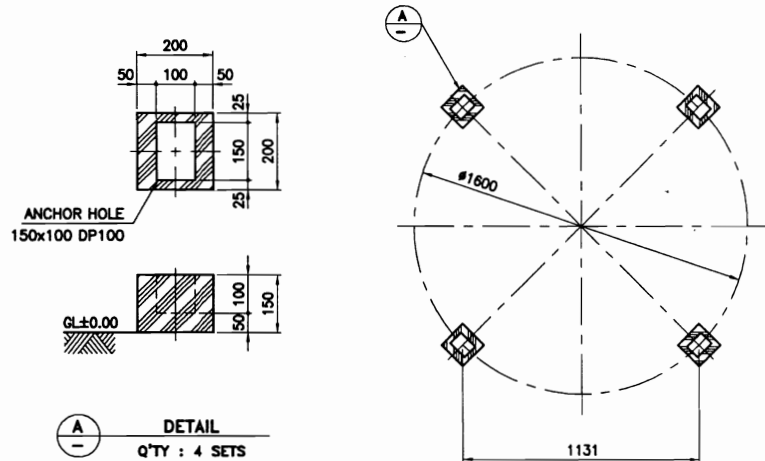


NO	DESCRIPTION	MATERIAL	Q'TY	SIZE	REMARKS
1	MOTOR	T.E.F.C	1 SET	2HPx6P	3#220/380/440V/60Hz
2	FAN	AL+ALLOY	1 SET	#900	4 BLADES
3	SPRINKLER HEAD	P.V.C	1 SET	80A	
4	SPRINKLER PIPE	P.V.C	4 EA	40A	
5	FILLER	P.P	1 LOT	0.4 ^t	ROLL TYPE
6	CASING	F.R.P	1 SET		
7	LOUVER	F.R.P	1 SET		



FOUNDATION

NOTE

1. REDUCER : DIRECT DRIVE TYPE
2. FOUNDATION : R.F CONCRETE (OUT OF SCOPE)
3. F.R.P TOLERANCE IS ±20mm.
4. NET WEIGHT : 350 KG
5. OPERATE WEIGHT : 690 KG

NO.	REVISION	DATE	DRAWN	CHK'D	APP'R	REFERENCE DRAWING
△						
△						
△						
△						

D H Tech Co., Ltd. 디에이치테크 (주)			PROJECT :		COOLING WATER SYSTEM
			TITLE :		ROUND TYPE COOLING TOWER 50 R/T ASSY DWG.
Project NO.			Date		2003. . . .
Scale			Unit		mm
H/S			Checked		
Drawn			Approved		
Size			A4		
REF. NO.					RN373227FV00501-001
					Rev. No.