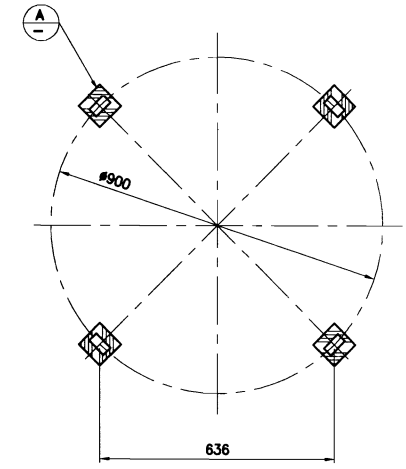
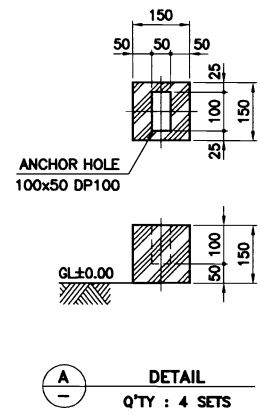


NO	DESCRIPTION	MATERIAL	Q'TY	SIZE	REMARKS
1	MOTOR	T.E.F.C	1 SET	1/2HPx6P	3#220/380/440V/60Hz
2	FAN	AL+ALLOY	1 SET	ø600	4 BLADES
3	SPRINKLER HEAD	P.V.C	1 SET	65A	
4	SPRINKLER PIPE	P.V.C	4 EA	25A	
5	FILLER	P.P	1 LOT	0.4 <sup>t</sup>	ROLL TYPE
6	CASING	F.R.P	1 SET		
7	LOUVER	F.R.P	1 SET		



**NOTE**

1. REDUCER : DIRECT DRIVE TYPE
2. FOUNDATION : R.F CONCRETE (OUT OF SCOPE)
3. F.R.P TOLERANCE IS ±20mm.
4. NET WEIGHT : 160 KG
5. OPERATE WEIGHT : 325 KG

NO.	REVISION	DATE	DRAWN	CHK'D	APP'R	REFERENCE DRAWING
△						
△						
△						
△						

<p><b>D H Tech Co., Ltd.</b> CI OH OI XI EI EY (⇒)</p>				PROJECT : COOLING WATER SYSTEM	
				TITLE : ROUND TYPE COOLING TOWER 25 R/T ASSY DWG.	
Project NO.		Date		REF. NO.	
Scale	N/S	Unit	mm	2003.	Checked
Size	A4	Drawn	Design	Size	Approved
RN373227FVP00251-001					