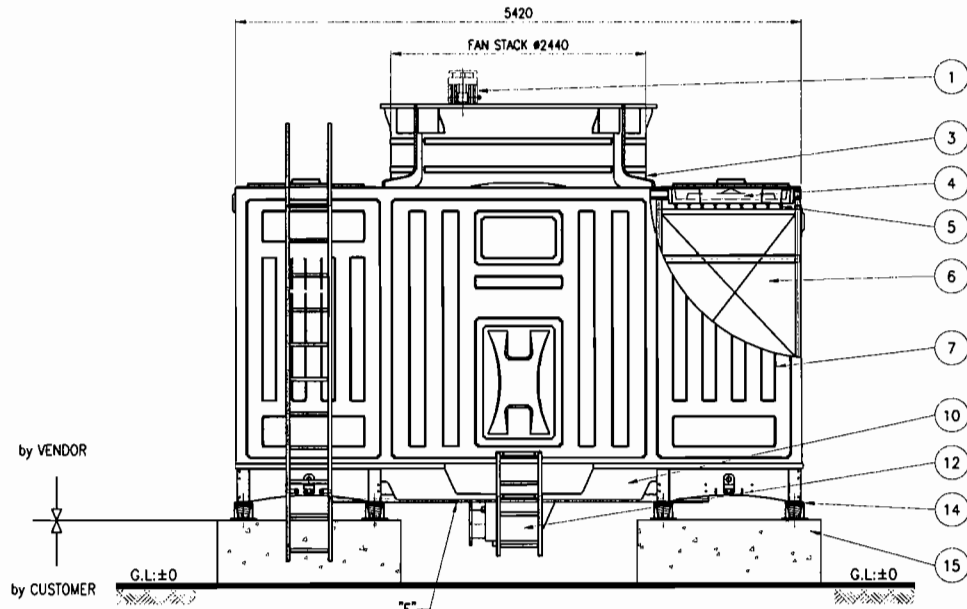
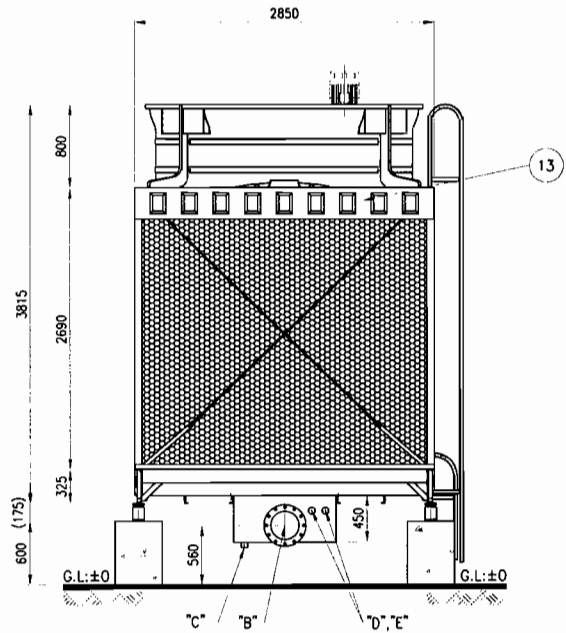


SPECIFICATION DATA			LOADING DATA	
1	C/T MODEL NO.	SCF-500	SHIPPING WEIGHT	2990KG
2	CIRCULATING WATER FLOW	390M ³ /HR		
3	HOT WATER TEMPERATURE	37°C		
4	COLD WATER TEMPERATURE	32°C	OPERATING WEIGHT	7840KG
5	WET BULB TEMPERATURE	27°C		
6	NOMINAL CAPACITY	1,950,000Kcal/hr		
7	WATER STORAGE CAPACITY	2.81M ³		
8	PARTITION	1BODY/1CELL		

PIPE SPECIFICATION DATA				OPTION LIST	
NO	NAME	SIZE	CONNECTION	단위	중량
A	INLET PIPE	150Ax2	FLANGE	10kg/cm ²	
B	OUTLET PIPE	250Ax1	FLANGE	10kg/cm ²	
C	DRAIN PIPE	65Ax1	SOCKET		
D	AUTOMATIC MAKE UP	50Ax1	SOCKET		
E	MANUAL MAKE UP	50Ax1	SOCKET		
F	OVER FLOW	65Ax1	SOCKET		

NO	DESCRIPTION	MATERIAL	Q'TY	SIZE	REMARKS
1	MOTOR	T.E.-F	1SET	20HPx4P	
2	DRIVING PART				
	V-BELT	RUBBER	1EA	103"	
	REDUCER	AL-ALL	1SET	20HP #	
	FAN ASS'Y	F.R.P	1SET	φ2400	
	FAN PULLY	FC250	1EA	20"	
	MOTOR PULLY	FC250	1EA	5.5"	
3	FAN STACK	F.R.P	1SET	φ2440	
4	HOT WATER BASIN	F.R.P	2SET	4l	
5	NOZZLE	P.P	1SET	φ14.5	
6	FILLER / ELUMINATOR	P.V.C	1SET	0.4l	
7	CASING	F.R.P	1SET	3l	
8	STRUCTURE	SS400	1SET	4l	H.O.G
9	LADDER	S.P.P	1SET	25A	H.O.G
10	COLD WATER BASIN	F.R.P	1SET	4l	
11	SAFETY NET	SS400	1SET	φ2400	H.O.G
12	DRAIN BOX	F.R.P	1SET	5l	
13	CORNER GUIDE	F.R.P	1SET	3l	
14	방진스크림	YJSB-2	1LOT	2"	OPTION
15	FOUNDATION	CON'C	1LOT	-	OUT OF SCOPE



NO.	REVISION	DATE	DRAWN	CHK'D	APP'R	REFERENCE DRAWING
△						
△						
△						

DHT Dae Hwa Tech Co., Ltd.
 대화테크(주)

Project NO. _____
 Scale N/S _____
 Unit mm _____
 Date _____
 Size A4 _____

Drawn _____
 Design _____
 Checked _____
 Approved _____

PROJECT : COOLING WATER SYSTEM
 TITLE : COOLING TOWER ASSY DWG. DHG-CR-500
 DWG. NO. _____ Rev. No. _____