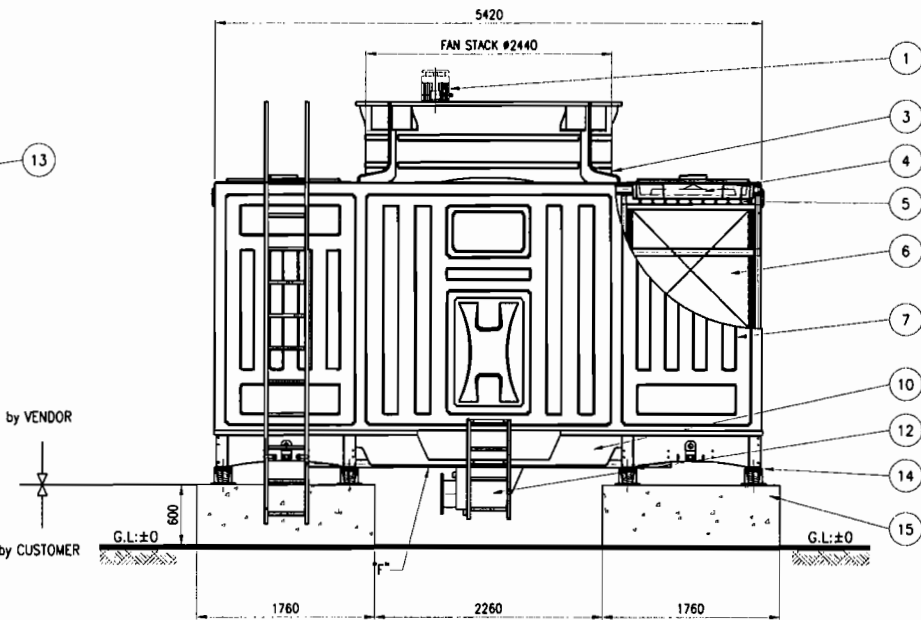
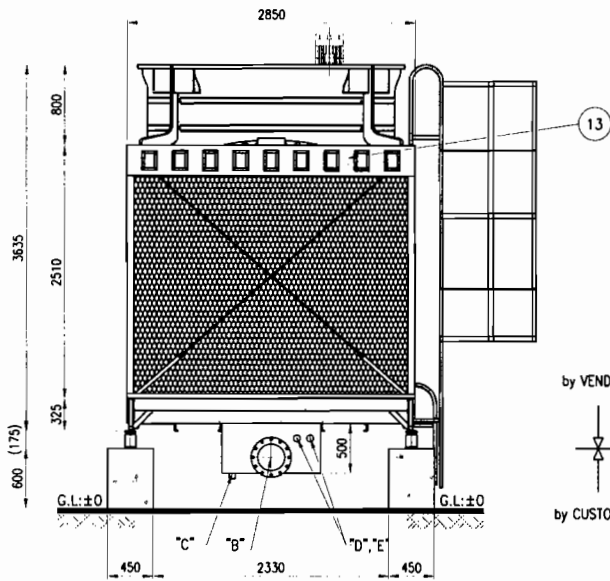


SPECIFICATION DATA			LOADING DATA	
1	C/T MODEL NO.	SCF-400	SHIPPING WEIGHT	2790KG
2	CIRCULATING WATER FLOW	312M ³ /HR		
3	HOT WATER TEMPERATURE	37°C		
4	COLD WATER TEMPERATURE	32°C		
5	WET BULB TEMPERATURE	27°C		
6	NOMINAL CAPACITY	1,560,000kcal/hr	OPERATING WEIGHT	7240KG
7	WATER STORAGE CAPACITY	2.81M ³		
8	PARTITION	1800Y/1CELL		

PIPE SPECIFICATION DATA				OPTION LIST
NO	NAME	SIZE	CONNECTION	REMARK
A	INLET PIPE	150Ax2	FLANGE	10kg/cm ²
B	OUTLET PIPE	250Ax1	FLANGE	10kg/cm ²
C	DRAIN PIPE	50Ax1	SOCKET	
D	AUTOMATIC MAKE UP	50Ax1	SOCKET	
E	MANUAL MAKE UP	50Ax1	SOCKET	
F	OVER FLOW	80Ax1	SOCKET	

NO	DESCRIPTION	MATERIAL	Q'TY	SIZE	REMARKS
1	MOTOR	T.E.-F	1SET	20HPx4P	
2	DRIVING PART				
	V-BELT	RUBBER	1EA	103"	
	REDUCER	FC250	1SET	R-50	
	FAN ASS'Y	F.R.P	1SET	Ø2400	
	FAN PULLY	FC250	1EA	20"	
	MOTOR FULLY	FC250	1EA	5"	
3	FAN STACK	F.R.P	1SET	Ø2440	
4	HOT WATER BASIN	F.R.P	2SET	4l	
5	NOZZLE	P.P	1SET	Ø14.5	
6	FILLER/ELIMINATOR	P.V.C	1SET	0.4l	
7	CASING	F.R.P	1SET	3l	
8	STRUCTURE	SS400	1SET	4l	H.D.G
9	LADDER	S.P.P	1SET	25A	H.D.G
10	COLD WATER BASIN	F.R.P	1SET	4l	
11	SAFETY NET	SS400	1SET	Ø2400	H.D.G
12	SUCTION TANK	F.R.P	1SET	5l	H.D.G
13	CORNER GUIDE	F.R.P	1SET	3l	
14	방진스크림	YJSB	1LOT	2"	OPTION
15	FOUNDATION	CON'C	1LOT	-	OUT OF SCOPE



DNT Dae Hwa Tech Co., Ltd.
 디에이치테크(주)

PROJECT : COOLING TOWER

TITLE : COOLING TOWER 400RT ASSY DRAWING

DWG. NO. Rev. No.

Project NO.		
Scale	1/35	Drawn
Unit	mm	Design
Date		Checked
Size	A3	Approved

NO.	REVISION	DATE	DRAWN	CHK'D	APP'R	REFERENCE DRAWING
△						
△						
△						