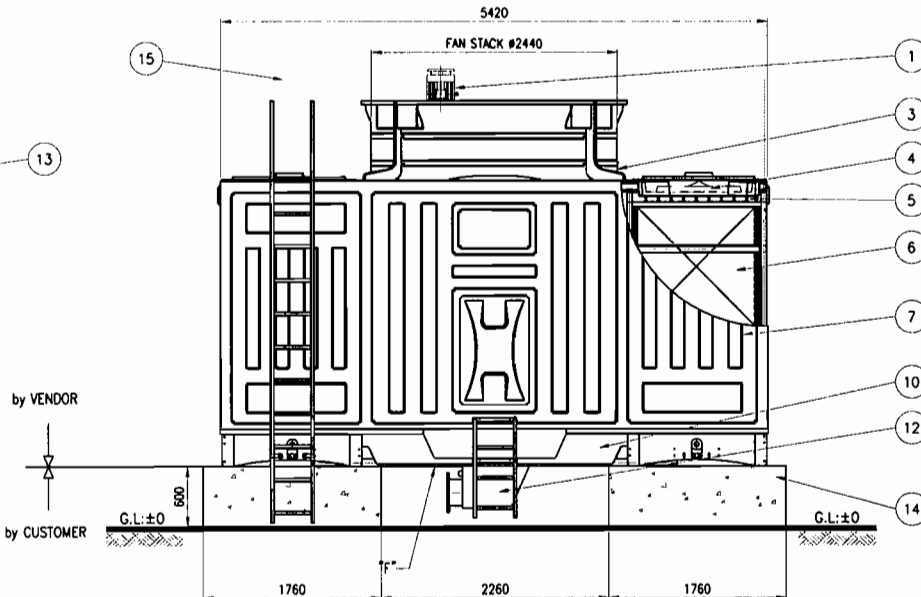
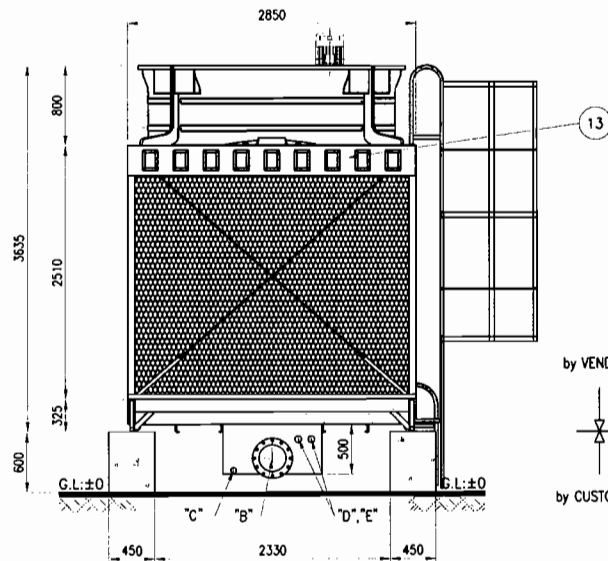


SPECIFICATION DATA			LOADING DATA	
1	CIRCULATING WATER FLOW	290M ³ /HR	SHIPPING WEIGHT	2790KG
2	HOT WATER TEMPERATURE	35°C		
3	COLD WATER TEMPERATURE	32°C		
4	WET BULB TEMPERATURE	27°C		
5	NOMINAL CAPACITY	870,000Kcal/hr	OPERATING WEIGHT	7240KG
6	WATER STORAGE CAPACITY	2.81M ³		
7	PARTITION	180DY/1CELL		

PIPE SPECIFICATION DATA				OPTION LIST
NO	NAME	SIZE	CONNECTION	REMARK
A	INLET PIPE	150A×2	FLANGE	10kg/cm ²
B	OUTLET PIPE	250A×1	FLANGE	10kg/cm ²
C	DRAIN PIPE	50A×1	SOCKET	
D	AUTOMATIC MAKE UP	50A×1	SOCKET	
E	MANUAL MAKE UP	50A×1	SOCKET	
F	OVER FLOW	80A×1	SOCKET	

NO	DESCRIPTION	MATERIAL	Q'TY	SIZE	REMARKS
1	MOTOR	T.E.-F	1SET	15HP×4P	
2	DRIVING PART				
	V-BELT	RUBBER	1EA	103"	
	REDUCER	AL-ALL	1SET	R-50	
	FAN ASS'Y	F.R.P	1SET	φ2400	
	FAN PULLY	FC250	1EA	20"	
	MOTOR PULLY	FC250	1EA	5"	
3	FAN STACK	F.R.P	1SET	φ2440	
4	HOT WATER BASIN	F.R.P	2SET	4t	
5	NOZZLE	P.P	1SET	φ14.5	
6	FILLER/ELIMINATOR	P.V.C	1SET	0.4t	
7	CASING	F.R.P	1SET	3t	
8	STRUCTURE	SS400	1SET	4t	H.D.G
9	LADDER	S.P.P	1SET	25A	H.O.G
10	COLD WATER BASIN	F.R.P	1SET	4t	
11	SAFETY NET	SS400	1SET	φ2400	H.O.G
12	SUCTION TANK	F.R.P	1SET	5t	H.O.G
13	CORNER GUIDE	F.R.P	1SET	3t	
14	FOUNDATION	CONC	1LOT	-	OUT OF SCOPE
15	HANDRAL	SS400	1LOT	-	



by VENDOR
by CUSTOMER

NO.	REVISION	DATE	DRAWN	CHK'D	APP'R	REFERENCE DRAWING
△						
△						
△						
△						

DHT Dae Hwa Tech Co., Ltd.
디에이치테크(주)

Project NO. _____
Scale 1/35
Unit mm
Date _____
Size A4

Drawn _____
Design _____
Checked _____
Approved _____

PROJECT : COOLING TOWER

TITLE : COOLING TOWER 350RT ASS'Y DRAWING

DWG. NO. _____ Rev. No. _____