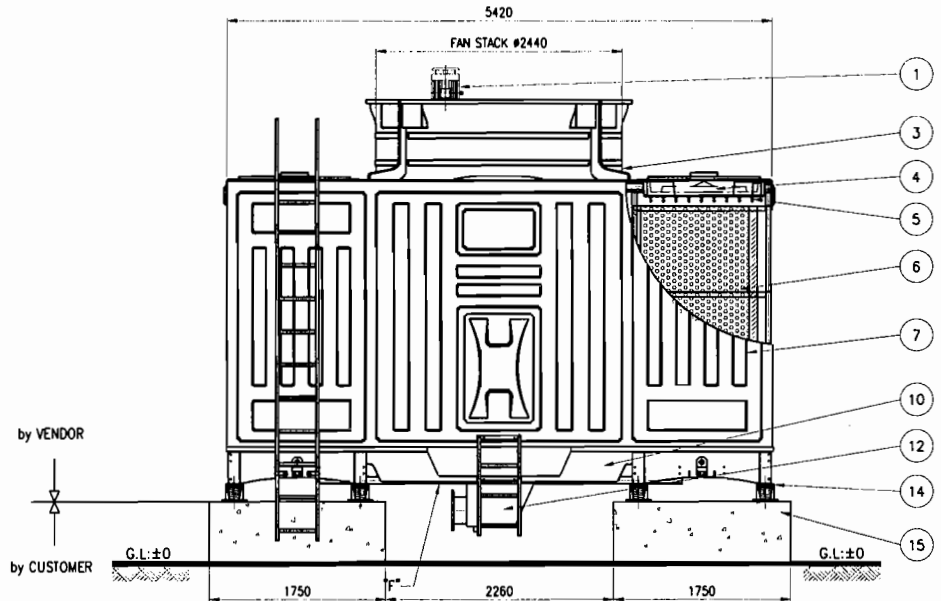
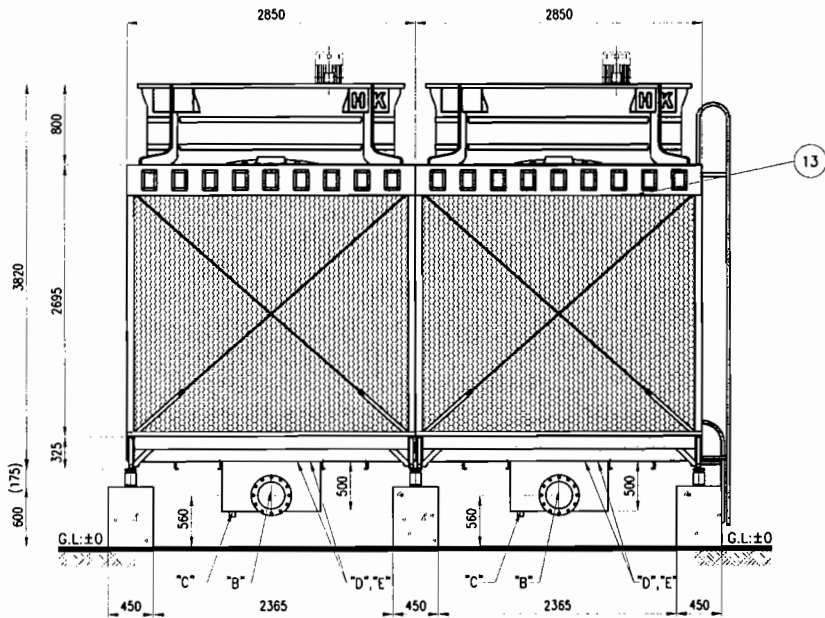


SPECIFICATION DATA		LOADING DATA
1	C/T MODEL NO.	SCF-1000
2	CIRCULATING WATER FLOW	780M <sup>3</sup> /HR
3	HOT WATER TEMPERATURE	37°C
4	COLD WATER TEMPERATURE	32°C
5	WET BULB TEMPERATURE	27°C
6	NOMINAL CAPACITY	3,900,000kcal/hr
7	WATER STORAGE CAPACITY	5.62M <sup>3</sup>
B	PARTITION	1BODY/2CELL
		SHIPPING WEIGHT
		3100KG
		OPERATING WEIGHT
		7240KG

PIPE SPECIFICATION DATA				OPTION LIST
NO	NAME	SIZE	CONNECTION	비고
A	INLET PIPE	150x4	FLANGE	10kg/cm <sup>2</sup>
B	OUTLET PIPE	250x2	FLANGE	10kg/cm <sup>2</sup>
C	DRAIN PIPE	50x2	SOCKET	
D	AUTOMATIC MAKE UP	50x2	SOCKET	
E	MANUAL MAKE UP	50x2	SOCKET	
F	OVER FLOW	80x2	SOCKET	

NO	DESCRIPTION	MATERIAL	Q'TY	SIZE	REMARKS
1	MOTOR	T.E.-F	2SET	20HPx4P	
2	DRIVING PART		2SET		
	V-BELT	RUBBER	2EA	103"	
	REDUCER	FC250	2SET	500RT	
	FAN ASSY	F.R.P	2SET	#2400	
	FAN PULLY	FC250	2EA	20"	
	MOTOR PULLY	FC250	2EA	5.5"	
3	FAN STACK	F.R.P	2SET	#2440	
4	HOT WATER BASIN	F.R.P	4SET	4I	
5	NOZZLE	P.P	2SET	#14.5	
6	FILLER/ELIMINATOR	P.V.C	2SET	0.4I	
7	CASING	F.R.P	2SET	3I	
8	STRUCTURE	SS400	2SET	4I	H.O.G
9	LADDER	S.P.P	2SET	20A	H.O.G
10	COLD WATER BASIN	F.R.P	2SET	4I	
11	SAFETY NET	SS400	2SET	#2400	H.O.G
12	SUCTION TANK	F.R.P	2SET	5I	
13	CORNER GUIDE	F.R.P	2SET	3I	
14	방진스크림	2SBM	1LOT	2"	OPTION
15	FOUNDATION	CON'C	1LOT	-	OUT OF SCOPE



by VENDOR

by CUSTOMER

NO.	REVISION	DATE	DRAWN	CHK'D	APP'R	REFERENCE DRAWING
△						
△						
△						
△						

**DHT** Dae Hwa Tech Co., Ltd.  
다에이치테크(주)

Project NO.	
Scale	1/35
Unit	mm
Date	
Size	A3
Drawn	
Design	
Checked	
Approved	

PROJECT : COOLING TOWER

TITLE : COOLING TOWER 1000RT ASS'Y DRAWING

DWG. NO. Rev. No